

150 watt Solar Panel

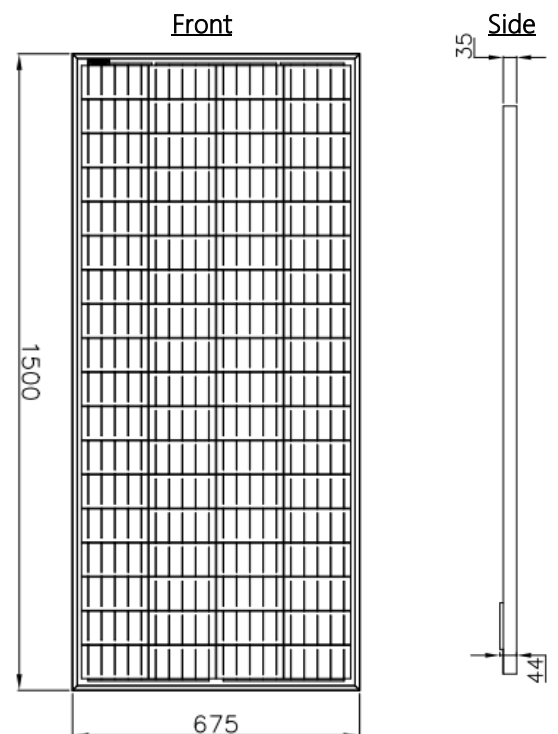
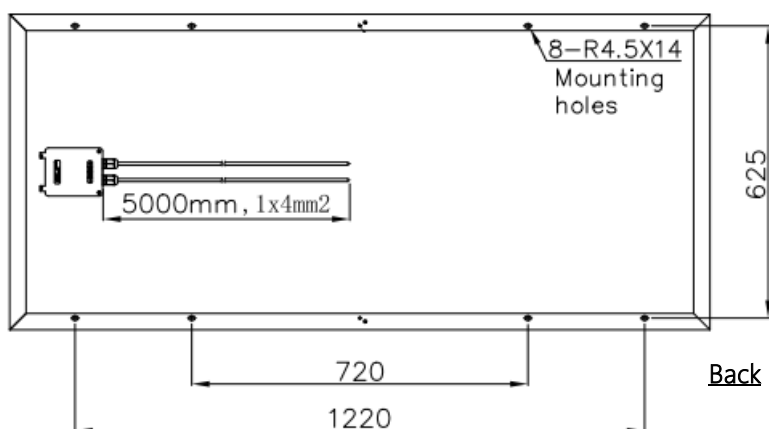
Model No.
SLP150-24C

The Redilight 150 watt solar panel is a high efficiency multi crystalline PV panel that is constructed using a heavy-duty anodized frame and high transparency, low iron, tempered glass. The rugged design makes it capable of handling high wind pressure, hail and snow loads while maintaining an aesthetically pleasing appearance.



Specifications

Max Power (Pmax)	150W
Operating Voltage (Vmp)	37.28V
Operating Current (Imp)	4.02A
Open Circuit Voltage (Voc)	44.36V
Open Circuit Current (Isc)	4.27A
Operating Temperature	-40°F ~ 185°F
Dimensions	59"x26.6"x1.37" (150x67.5x3.5 cm)
Weight	24.2 lbs
Warranty	5 year warranty on materials and workmanship, 10 years 90% of rated output, 20 years 80% power output



Conforms to UL STD No. 1703